

**WINDOW FLASHING SYSTEM
INSTALLATION INSTRUCTIONS**

FOR

**PUNCHED WINDOW OPENINGS
WITH HUNG LINTEL SYSTEMS**

Offered By:

EXO-TEC Manufacturing, Inc.

22 Washington Street

Stoughton, MA 02072

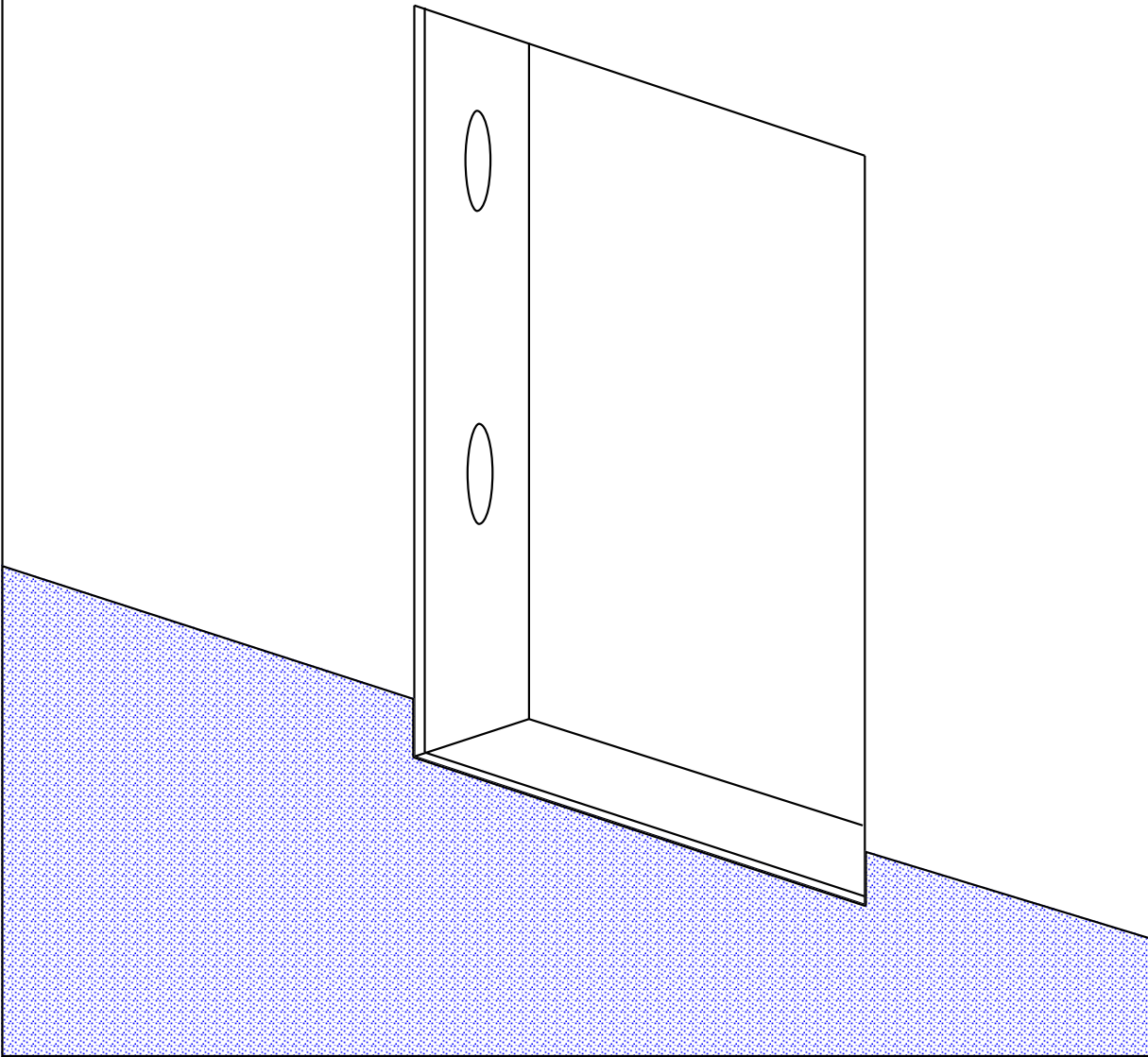
(781) 344-9794

Fax (781) 344-9823

<http://www.exo-tec.biz>

E-Mail: len@exo-tec.biz

1.) INSTALL THE WATER, AIR
OR AIR / VAPOR BARRIER
TO VICINITY OF THE
WINDOW SILL HEIGHT.



EXO-TEC MANUFACTURING, INC.

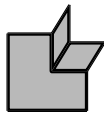
294 PLEASANT ST. SUITE 203A, STOUGHTON, MA 02072

(781) 344-9794 FAX (781) 344-9823

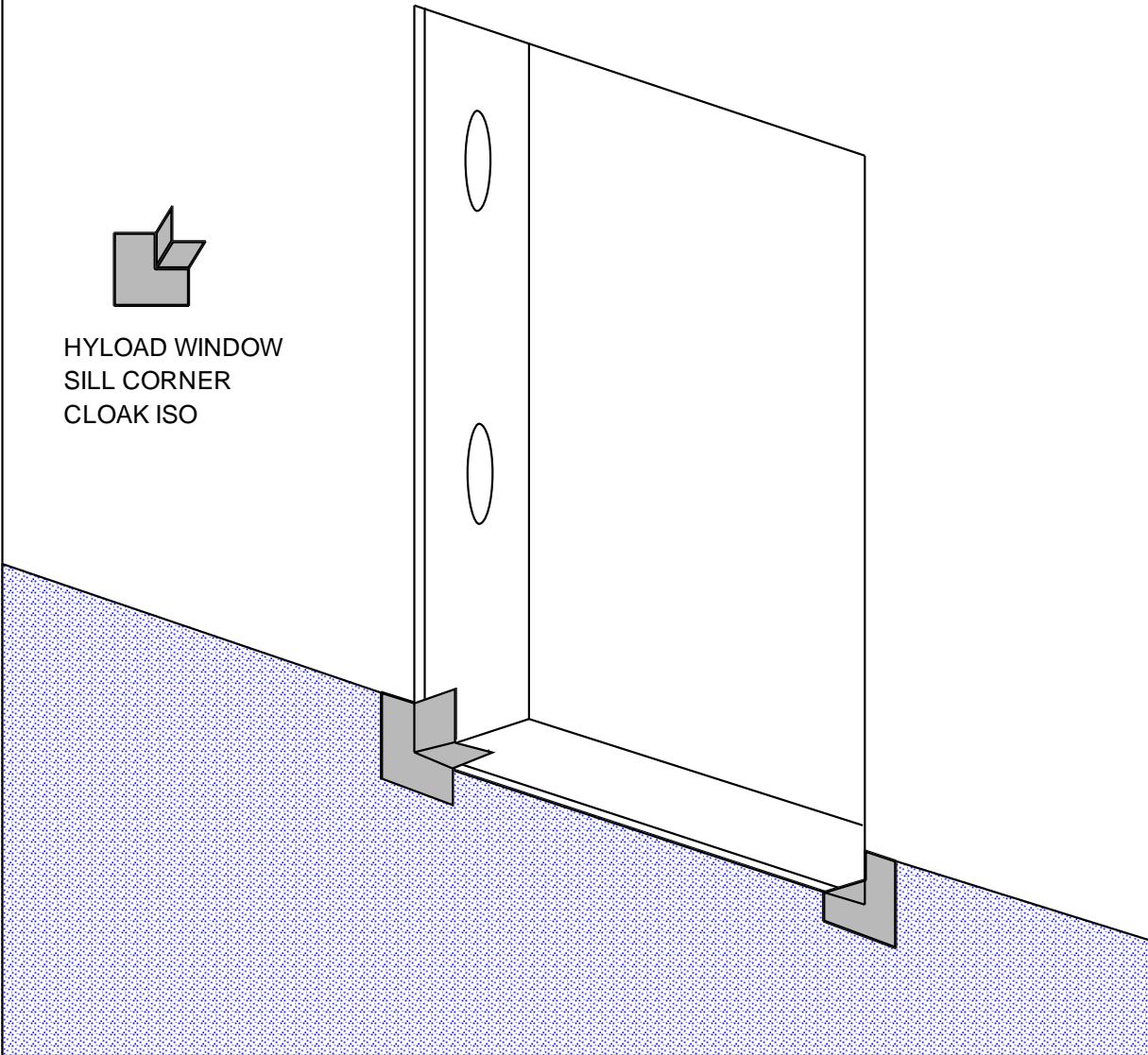
www.exo-tec.biz

WINDOW FLASHING SYSTEM INSTALLATION: STEP 1

2.) INSTALL HYLOAD WINDOW
SILL CORNER CLOAKS IN A FULL
BED OR WITH A CONTINUOUS
PERIMETER BEAD OF HYLOAD
ADHESIVE.



HYLOAD WINDOW
SILL CORNER
CLOAK ISO



EXO-TEC MANUFACTURING, INC.

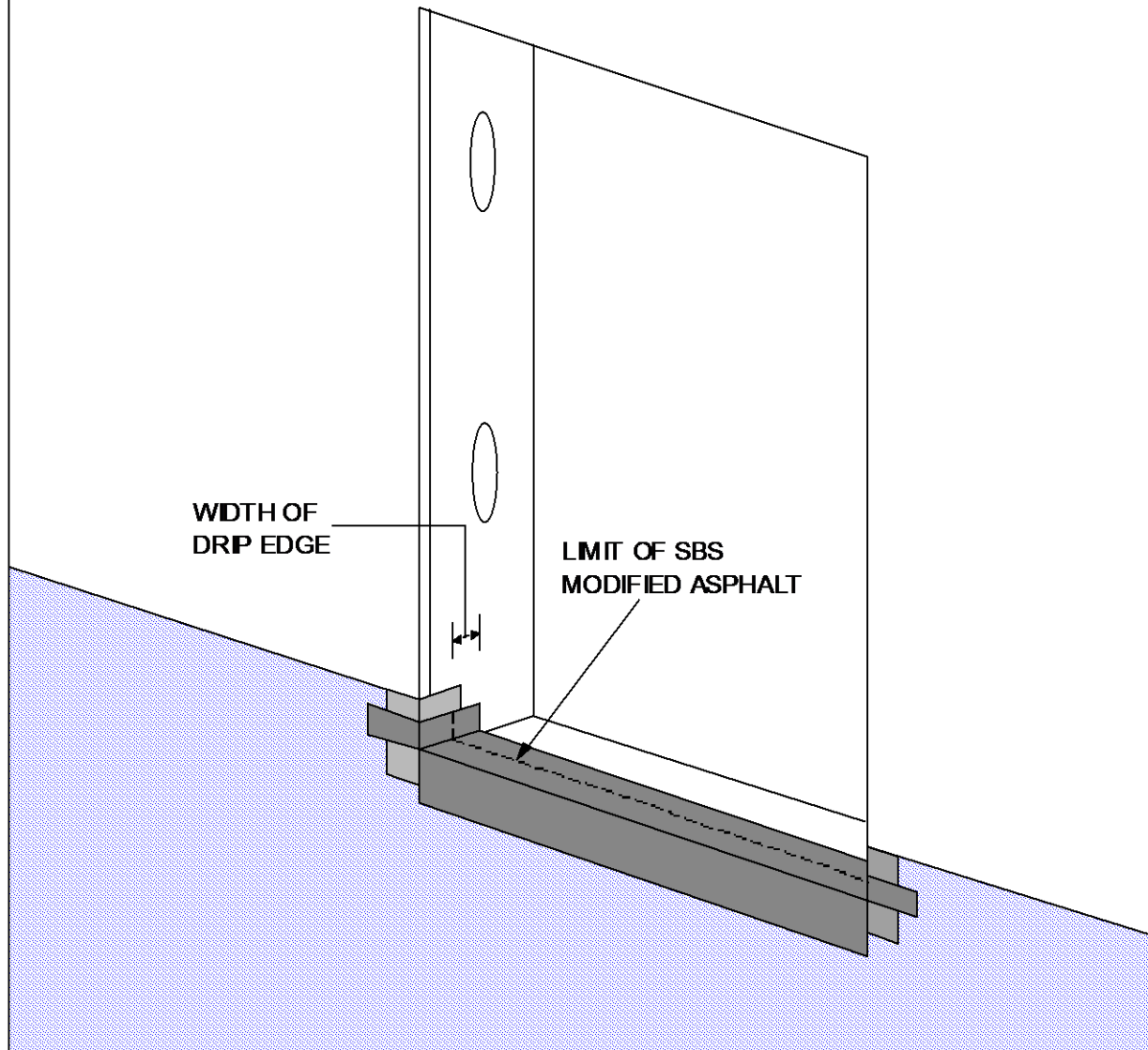
294 PLEASANT ST. SUITE 203A , STOUGHTON, MA 02072

(781) 344-9794 FAX (781) 344-9823

www.exo-tec.com

WINDOW FLASHING SYSTEM INSTALLATION: STEP 2

3.) **INSTALL HYLOAD S/A FLASHING WITH DRIP EDGE AT THE WINDOW SILL WITH THE INNER EDGE OF THE DRIP EDGE AT THE APPROXIMATE LOCATION OF THE BACK EDGE OF THE WINDOW.**



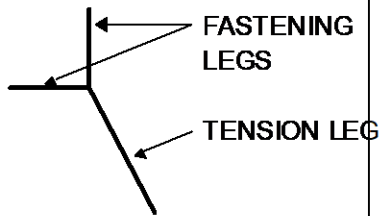
EXO-TEC MANUFACTURING, INC.
294 PLEASANT ST. SUITE 203A, STOUGHTON, MA 02072

(781) 344-9794 FAX (781) 344-9823
www.exo-tec.biz

WINDOW FLASHING SYSTEM INSTALLATION: STEP 3

4.) INSTALL JAMFLASH® BY SEATING IT TIGHTLY TO THE JAMB AND SHEATHING THEN FASTENING IT WITH CORROSION RESISTANT, PANCAKE HEAD, SELF-TAPPING SCREWS AT 12" O.C. ON BOTH FASTENING LEGS.

NOTE: SEE CROSS SECTION AT JAMB 1 SKETCH



JAMFLASH TOP VIEW

INSTALL THE JAMFLASH® +/- 1/4" DOWN FROM THE TOP OF THE ROUGH OPENING

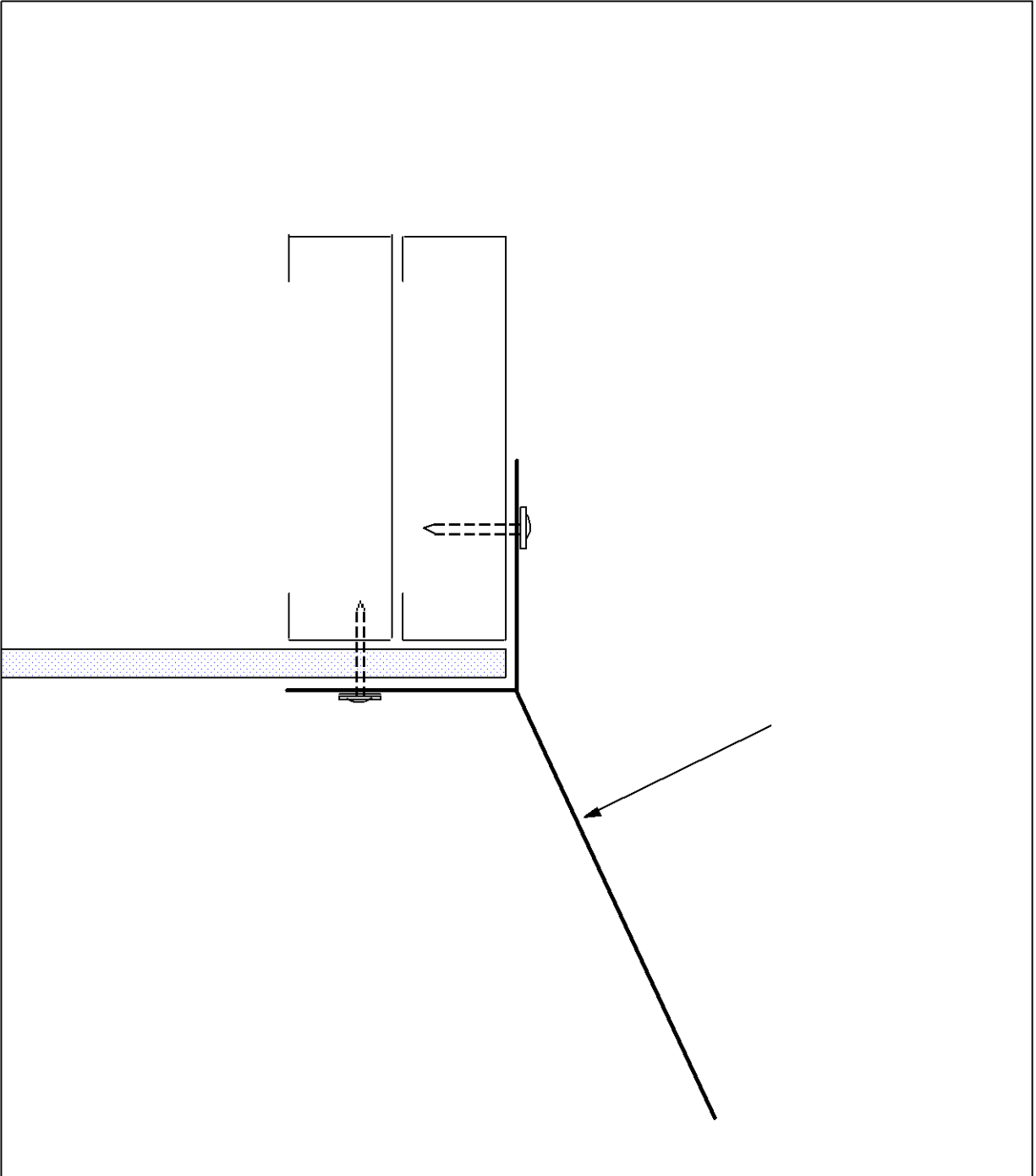
EXO-TEC MANUFACTURING, INC.

294 PLEASANT ST. SUITE 203A, STOUGHTON, MA 02072

(781) 344-9794 FAX (781) 344-9823

www.exo-tec.biz

WINDOW FLASHING SYSTEM INSTALLATION: STEP 4



EXO-TEC MANUFACTURING, INC.

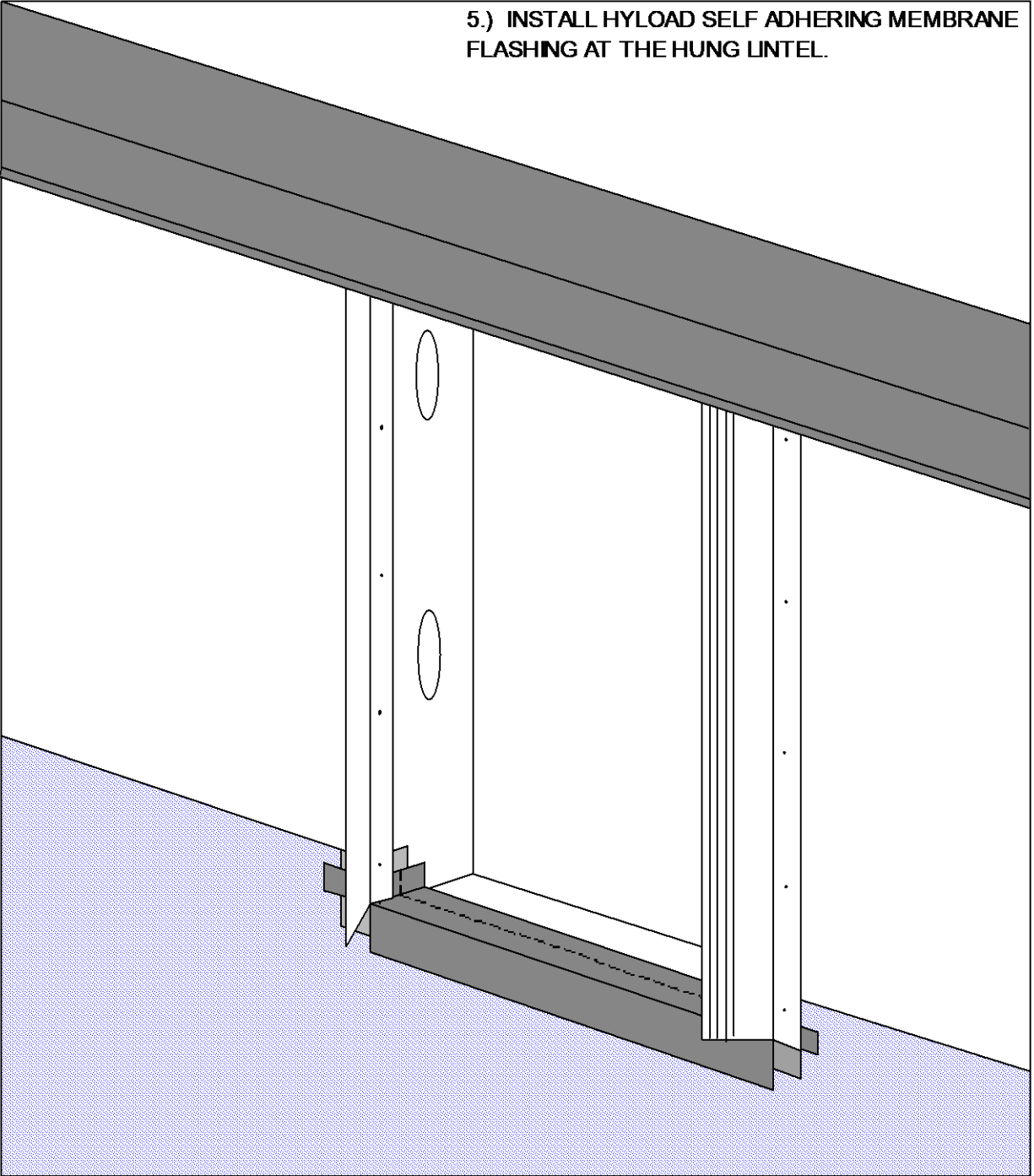
294 PLEASANT ST. SUITE 203A, STOUGHTON, MA 02072

(781) 344-9794 FAX (781) 344-9823

www.exo-tec.biz

WINDOW FLASHING SYSTEM INSTALLATION: SECTION AT JAMB 1

5.) INSTALL HYLOAD SELF ADHERING MEMBRANE FLASHING AT THE HUNG LINTEL.



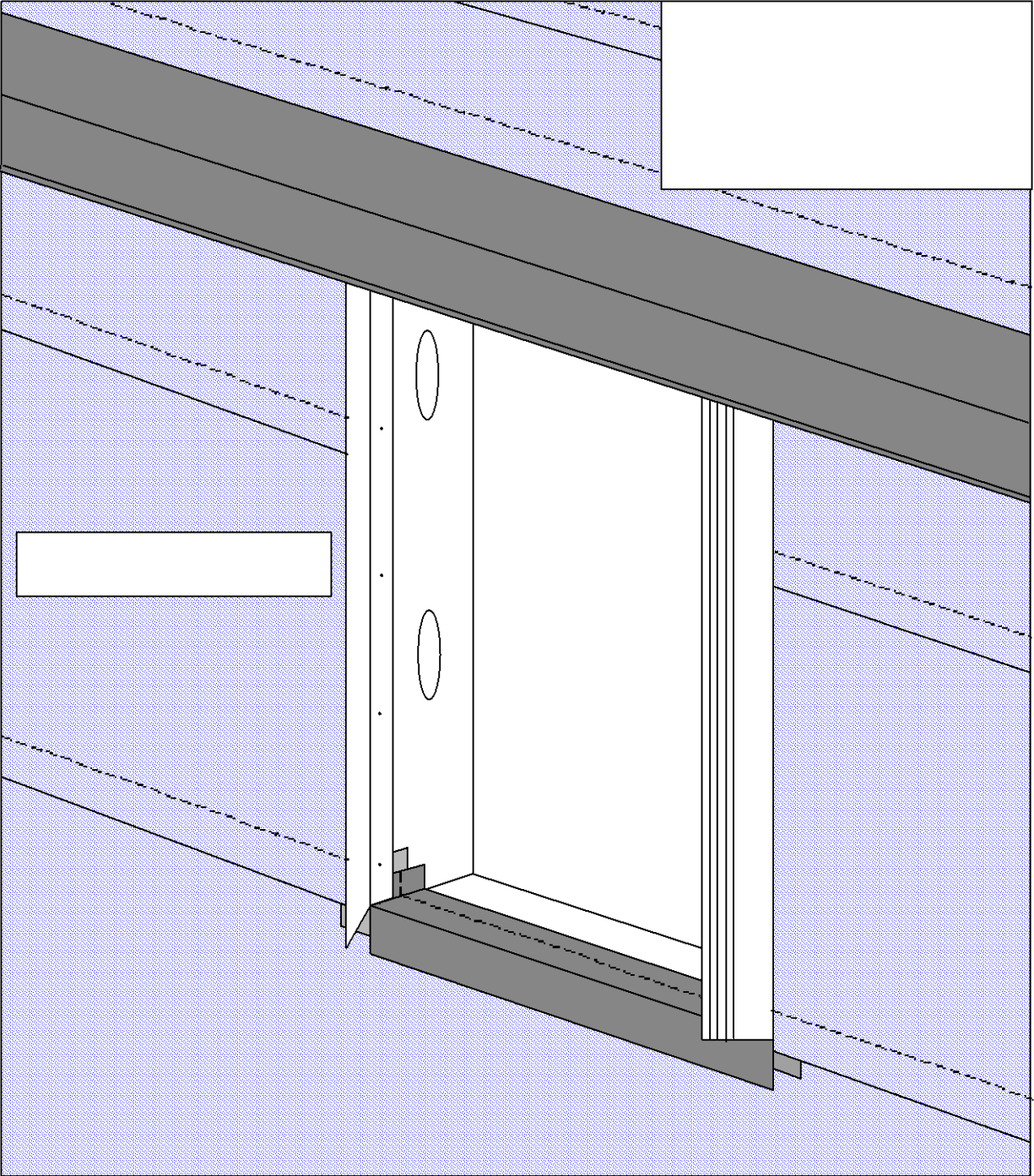
EXO-TEC MANUFACTURING, INC.

294 PLEASANT ST. SUITE 203A, STOUGHTON, MA 02072

(781) 344-9794 FAX (781) 344-9823

www.exo-tec.biz

WINDOW FLASHING SYSTEM INSTALLATION: STEP 5



EXO-TEC MANUFACTURING, INC.

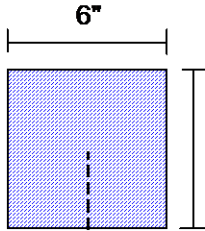
294 PLEASANT ST. SUITE 203A, STOUGHTON, MA 02072

(781) 344-9794 FAX (781) 344-9823

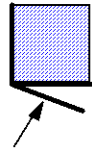
www.exo-tec.biz

WINDOW FLASHING SYSTEM INSTALLATION: STEP 6

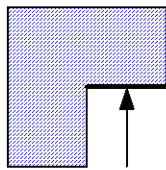
7.) FORM AND INTERNAL CORNER WITH THE HYLOAD SELF ADHERING FLASHING MEMBRANE AND APPLY TO JUNCTION OF THE RELIEVING AND AND THE JAMFLASH® FACING THE CAVITY.



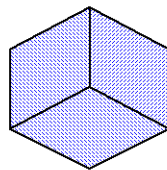
- MAKE A SINGLE CUT HALF WAY UP THE MIDDLE OF A 6" X 6" SHEET OF HYLAOD S/A MEMBRANE.



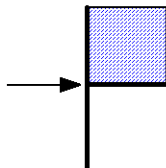
- REMOVE THE RELEASE PAPER, FOLD ONE FLAP OVER THE OTHER AS SHOWN AND PRESS TOGETHER FIRMLY.



- FOLD RIGHT LEG UP TO A VERTICAL POSITION.

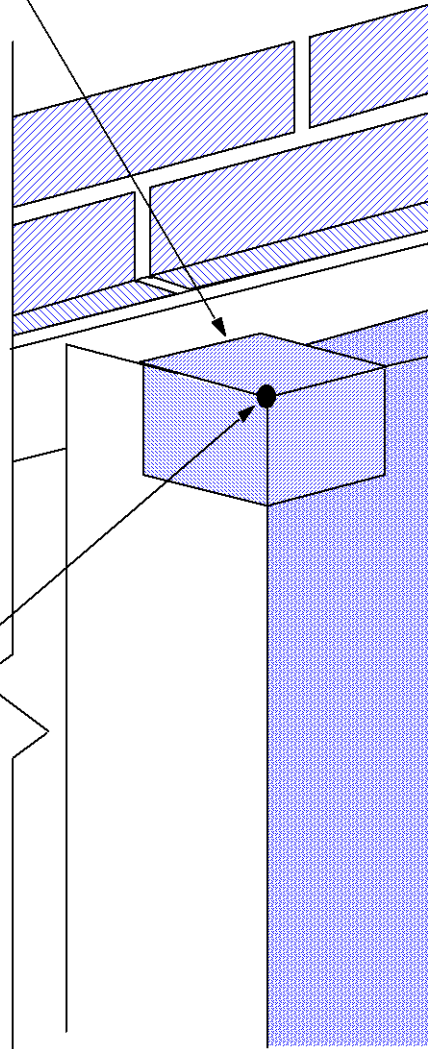


- THE FLASHING PAN SHOULD LOOK LIKE THIS. TURN IT UPSIDE DOWN AND ADHERE IT TO THE JUNCTION OF THE JAMFLASH® AND RELIEVING ANGLE AS SHOWN AT RIGHT.



- FOLD LEFT HALF UP TO A VERTICAL POSITION PERPENDICULAR TO THE FIRST FOLD.

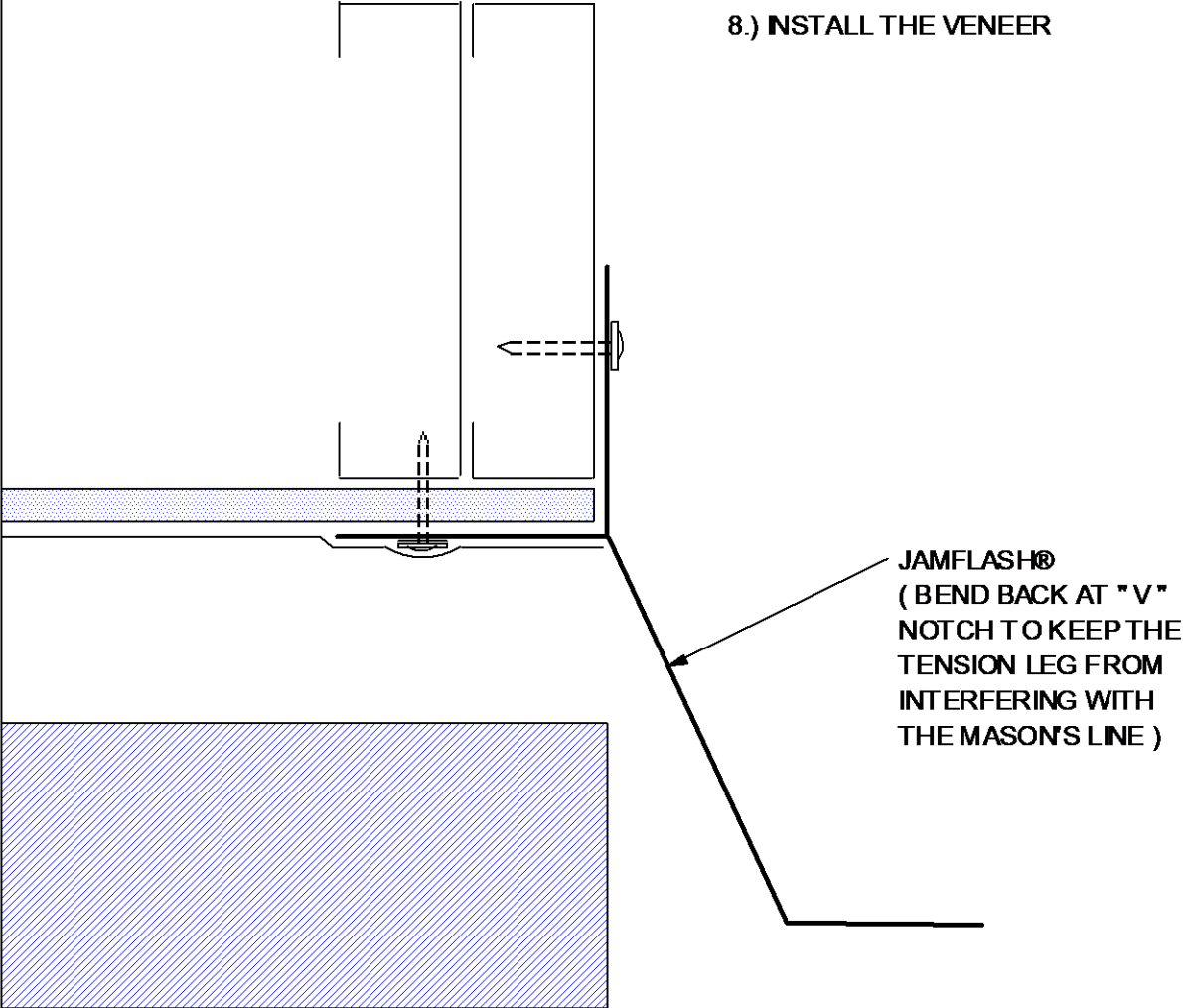
- ADDA DAB OF HYLOAD MASTIC TO SEAL THE INSIDE CORNER.



EXO-TEC MANUFACTURING, INC. (781) 344-9794 FAX (718) 344-9823
 294 PLEASANT ST. SUITE 203A STOUGHTON, MA 02072 www.exo-tec.biz

WINDOW FLASHING INSTALLATION: STEP 7

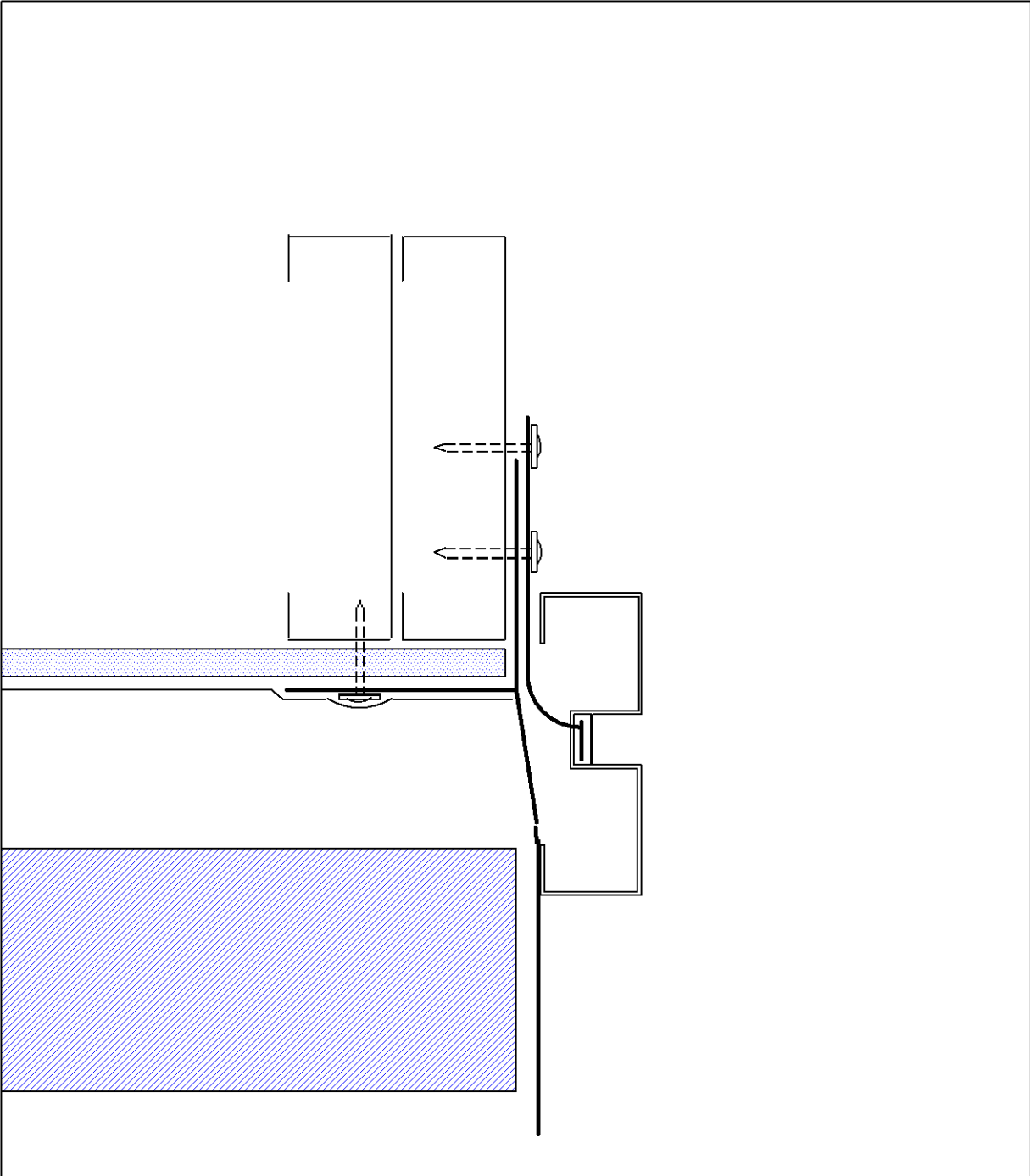
8.) NSTALL THE VENEER



EXO-TEC MANUFACTURING, INC.
294 PLEASANT ST. SUITE 203A, STOUGHTON, MA 02072

(781) 344-9794 FAX (781) 344-9823
www.exo-tec.biz

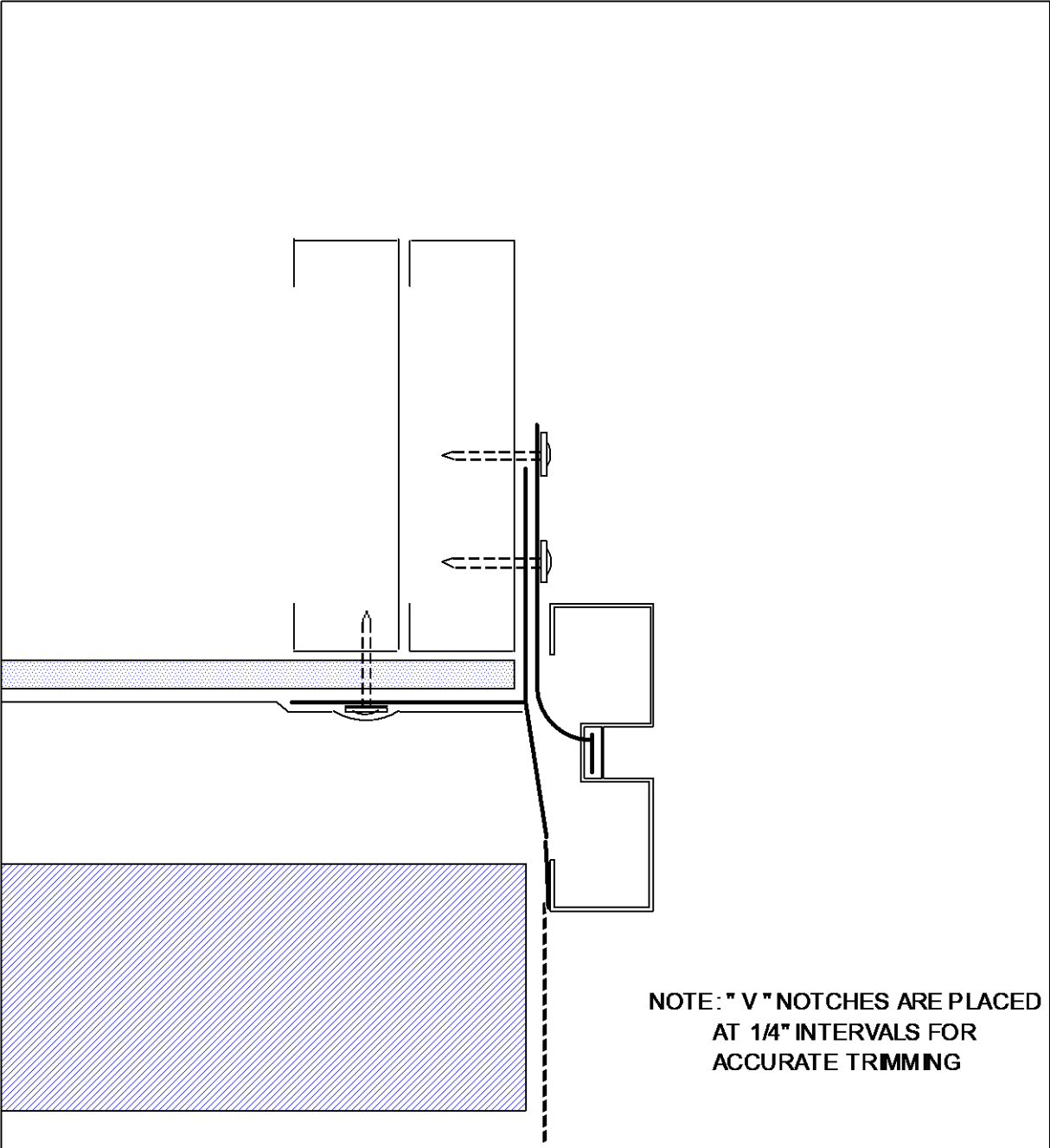
WINDOW FLASHING SYSTEM INSTALLATION: STEP 8



EXO-TEC MANUFACTURING, INC.
294 PLEASANT ST. SUITE 203A, STOUGHTON, MA 02072

(781) 344-9794 FAX (781) 344-9823
www.exo-tec.biz

WINDOW FLASHING SYSTEM INSTALLATION: STEP 9

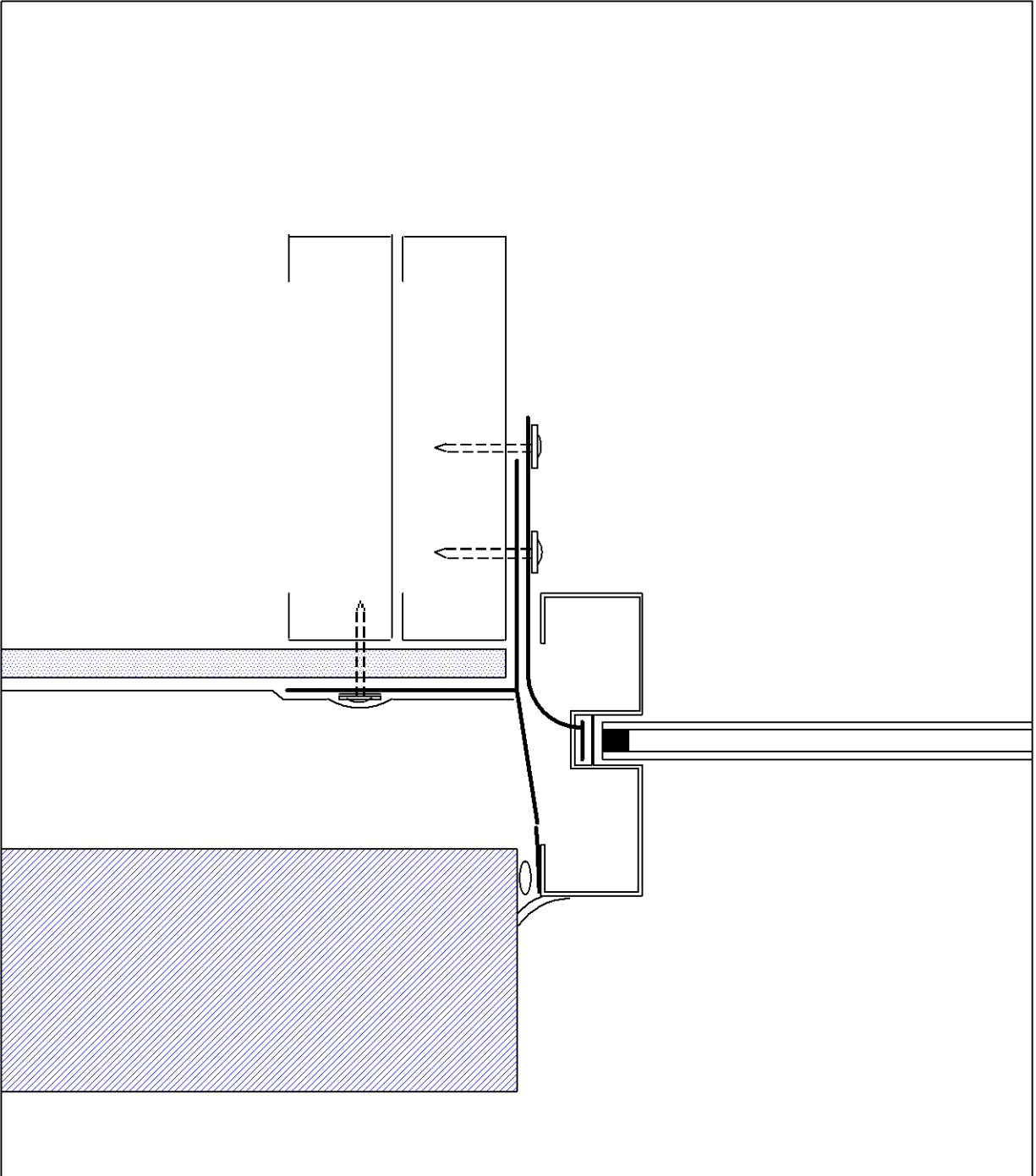


NOTE: " V " NOTCHES ARE PLACED
AT 1/4" INTERVALS FOR
ACCURATE TRIMMING

EXO-TEC MANUFACTURING, INC.
294 PLEASANT ST. SUITE 203A, STOUGHTON, MA 02072

(781) 344-9794 FAX (781) 344-9823
www.exo-tec.biz

WINDOW FLASHING SYSTEM INSTALLATION: STEP 10



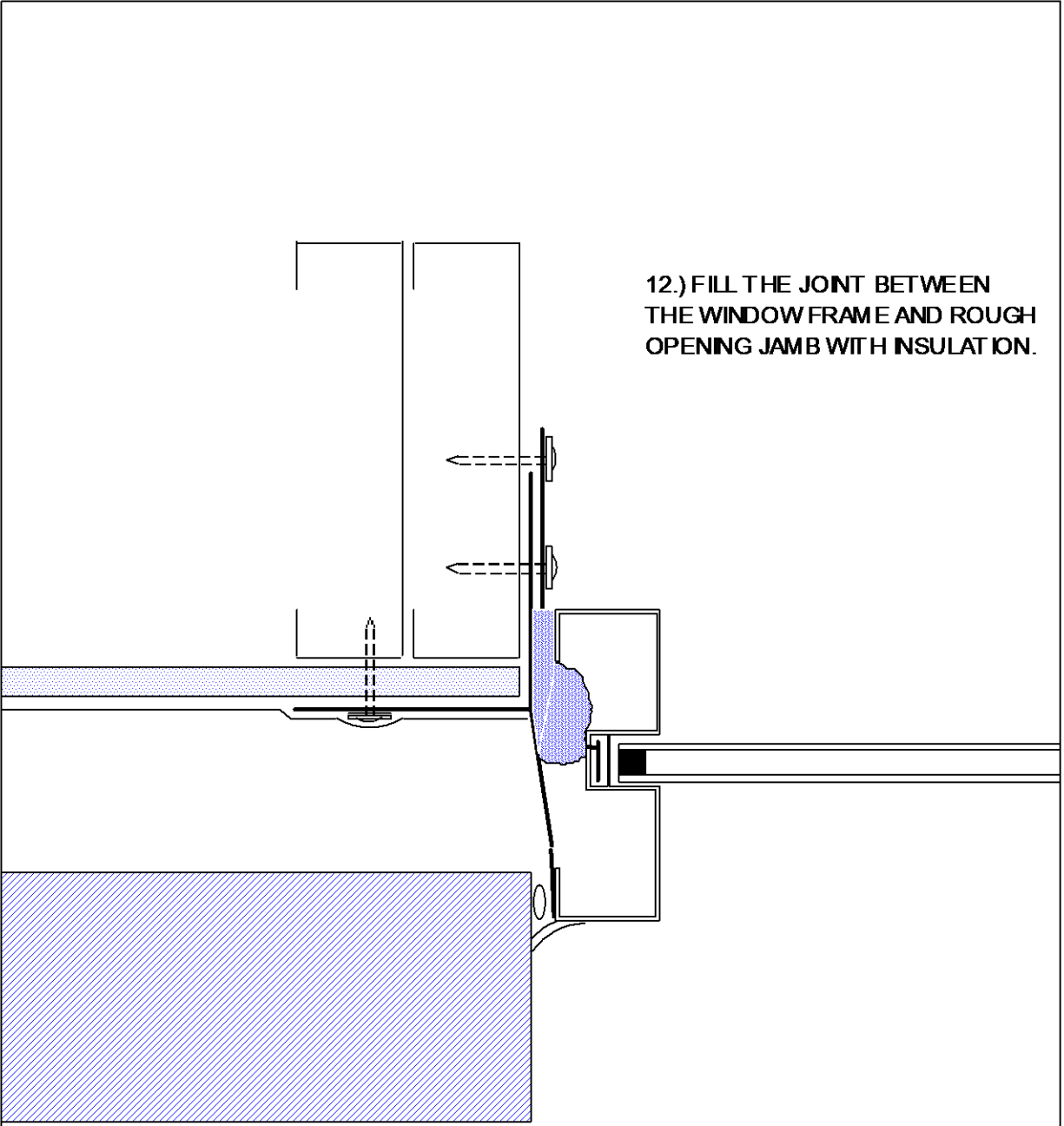
EXO-TEC MANUFACTURING, INC.

294 PLEASANT ST. SUITE 203A, STOUGHTON, MA 02072

(781) 344-9794 FAX (781) 344-9823

www.exo-tec.biz

WINDOW FLASHING SYSTEM INSTALLATION: STEP 11

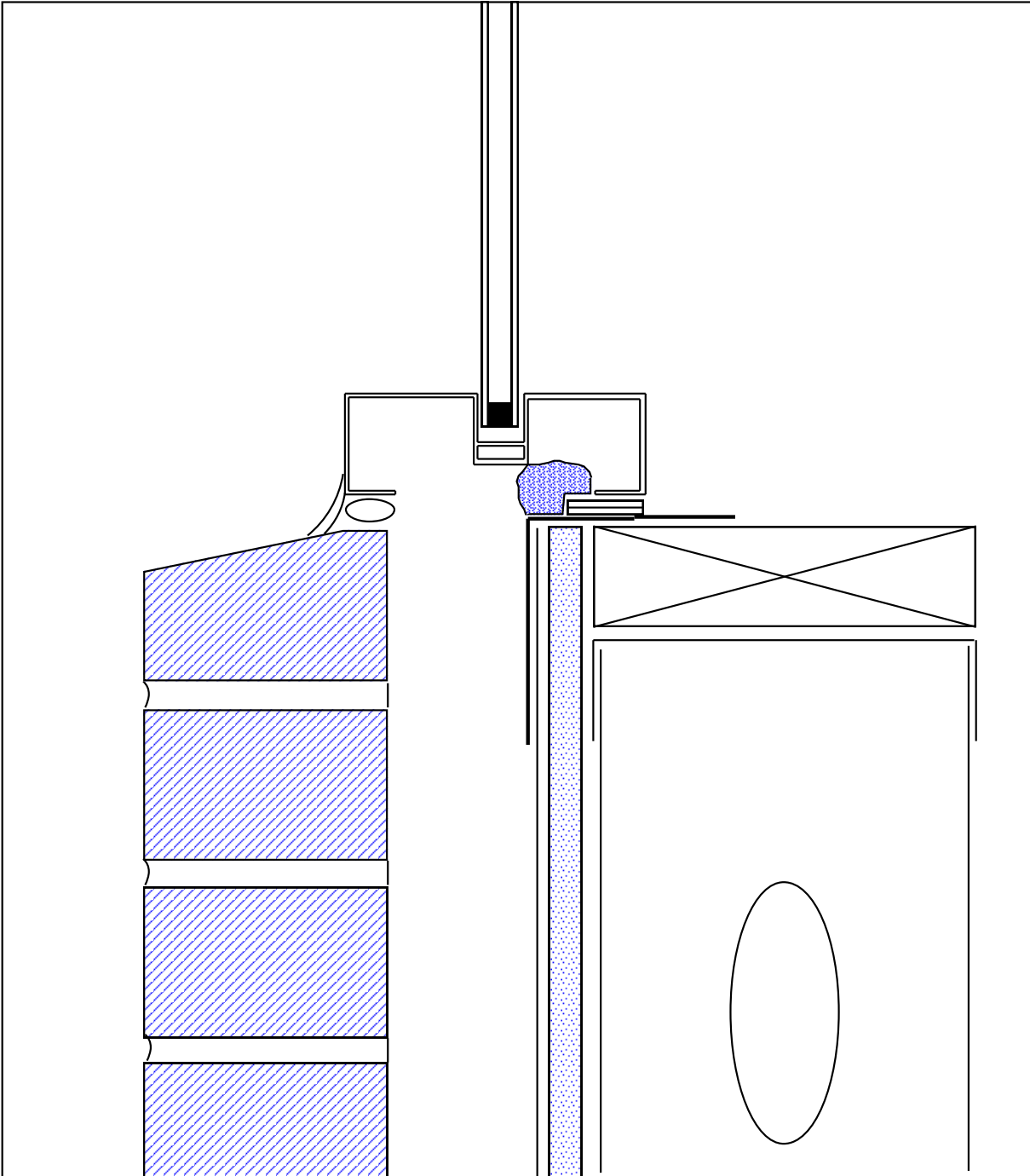


12.) FILL THE JOINT BETWEEN THE WINDOW FRAME AND ROUGH OPENING JAMB WITH INSULATION.

EXO-TEC MANUFACTURING, INC.
294 PLEASANT ST. SUITE 203A, STOUGHTON, MA 02072

(781) 344-9794 FAX (781) 344-9823
www.exo-tec.biz

WINDOW FLASHING SYSTEM INSTALLATION: STEP 12



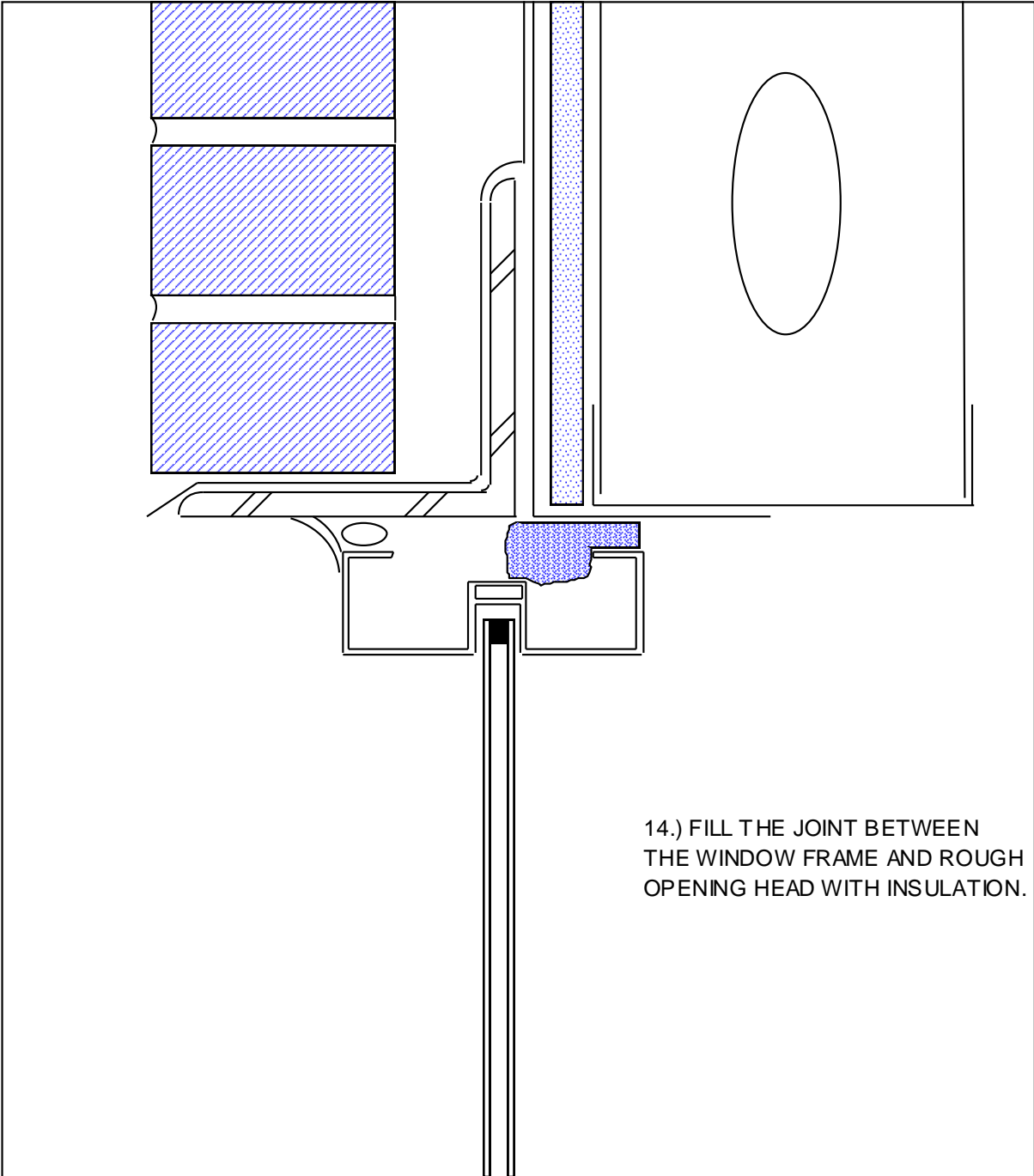
EXO-TEC MANUFACTURING, INC.

294 PLEASANT ST. SUITE 203A, STOUGHTON, MA 02072

(781) 344-9794 FAX (781) 344-9823

www.exo-tec.biz

WINDOW FLASHING SYSTEM INSTALLATION: STEP 13



14.) FILL THE JOINT BETWEEN THE WINDOW FRAME AND ROUGH OPENING HEAD WITH INSULATION.

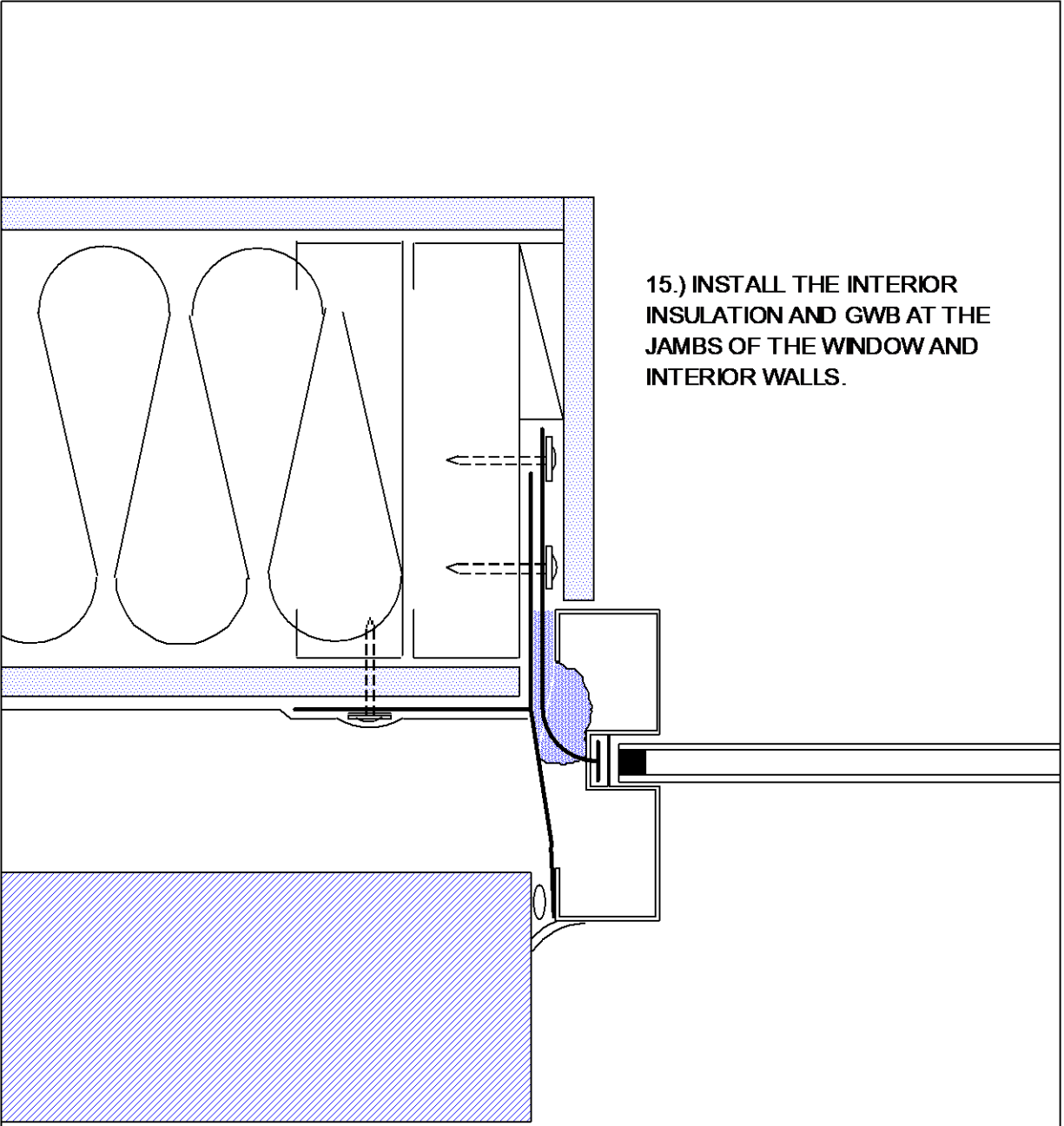
EXO-TEC MANUFACTURING, INC.

294 PLEASANT ST. SUITE 203A, STOUGHTON, MA 02072

(781) 344-9794 FAX (781) 344-9823

www.exo-tec.biz

WINDOW FLASHING SYSTEM INSTALLATION: STEP 14



15.) INSTALL THE INTERIOR INSULATION AND GWB AT THE JAMBS OF THE WINDOW AND INTERIOR WALLS.

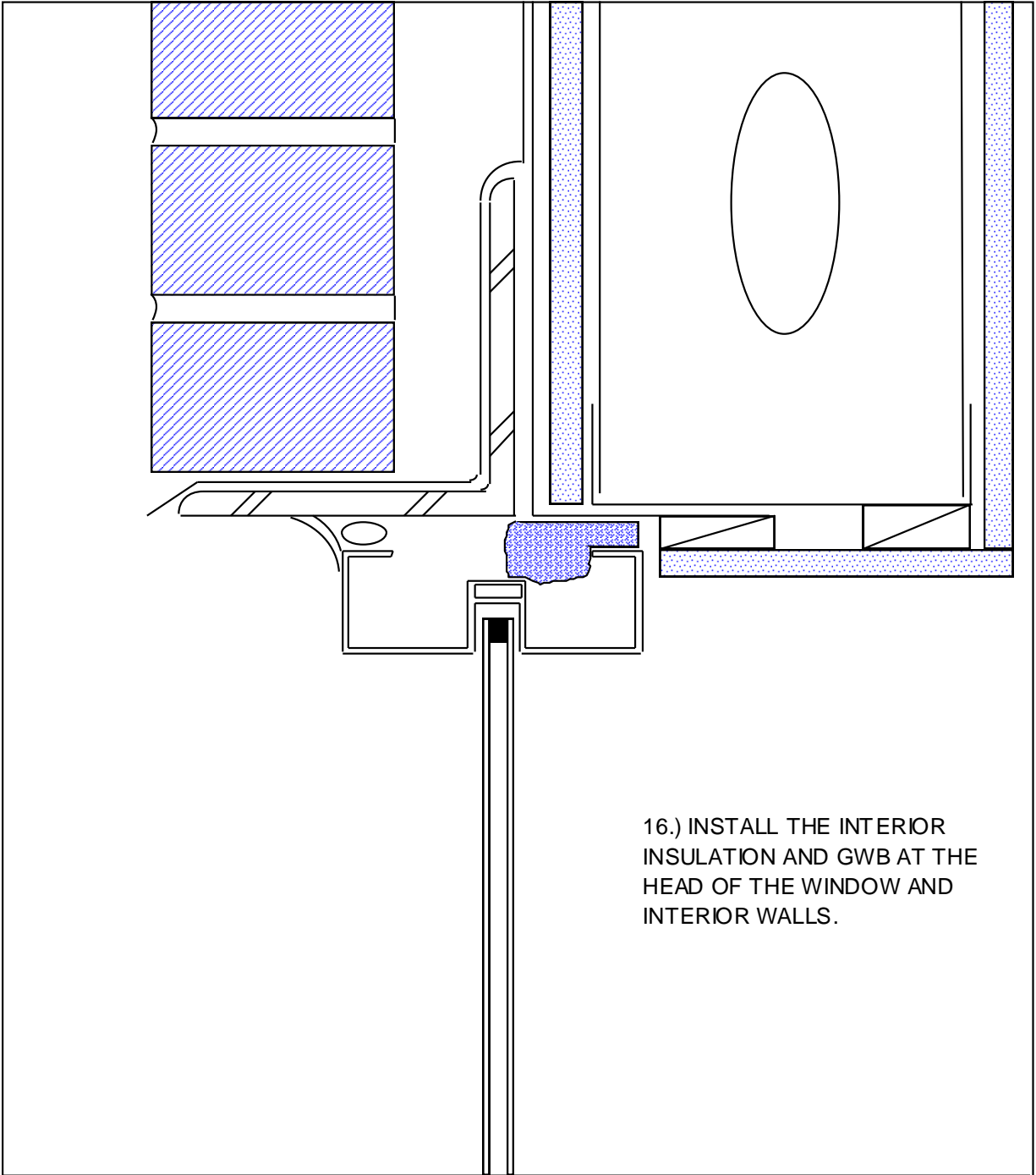
EXO-TEC MANUFACTURING, INC.

(781) 344-9794 FAX (781) 344-9823

294 PLEASANT ST. SUITE 203A, STOUGHTON, MA 02072

www.exo-tec.biz

WINDOW FLASHING SYSTEM INSTALLATION: STEP 15



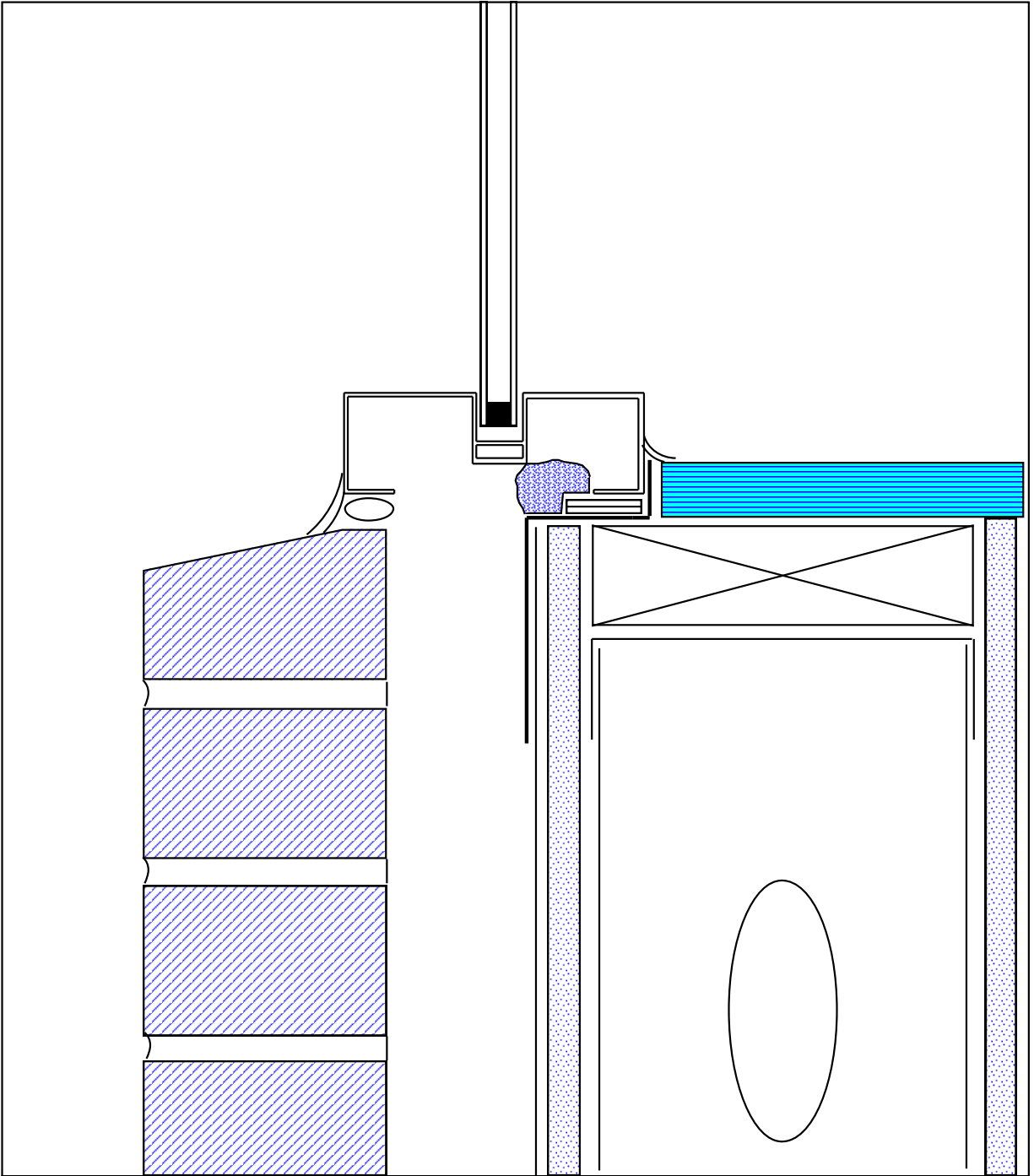
EXO-TEC MANUFACTURING, INC.

294 PLEASANT ST. SUITE 203A, STOUGHTON, MA 02072

(781) 344-9794 FAX (781) 344-9823

www.exo-tec.biz

WINDOW FLASHING SYSTEM INSTALLATION: STEP 16



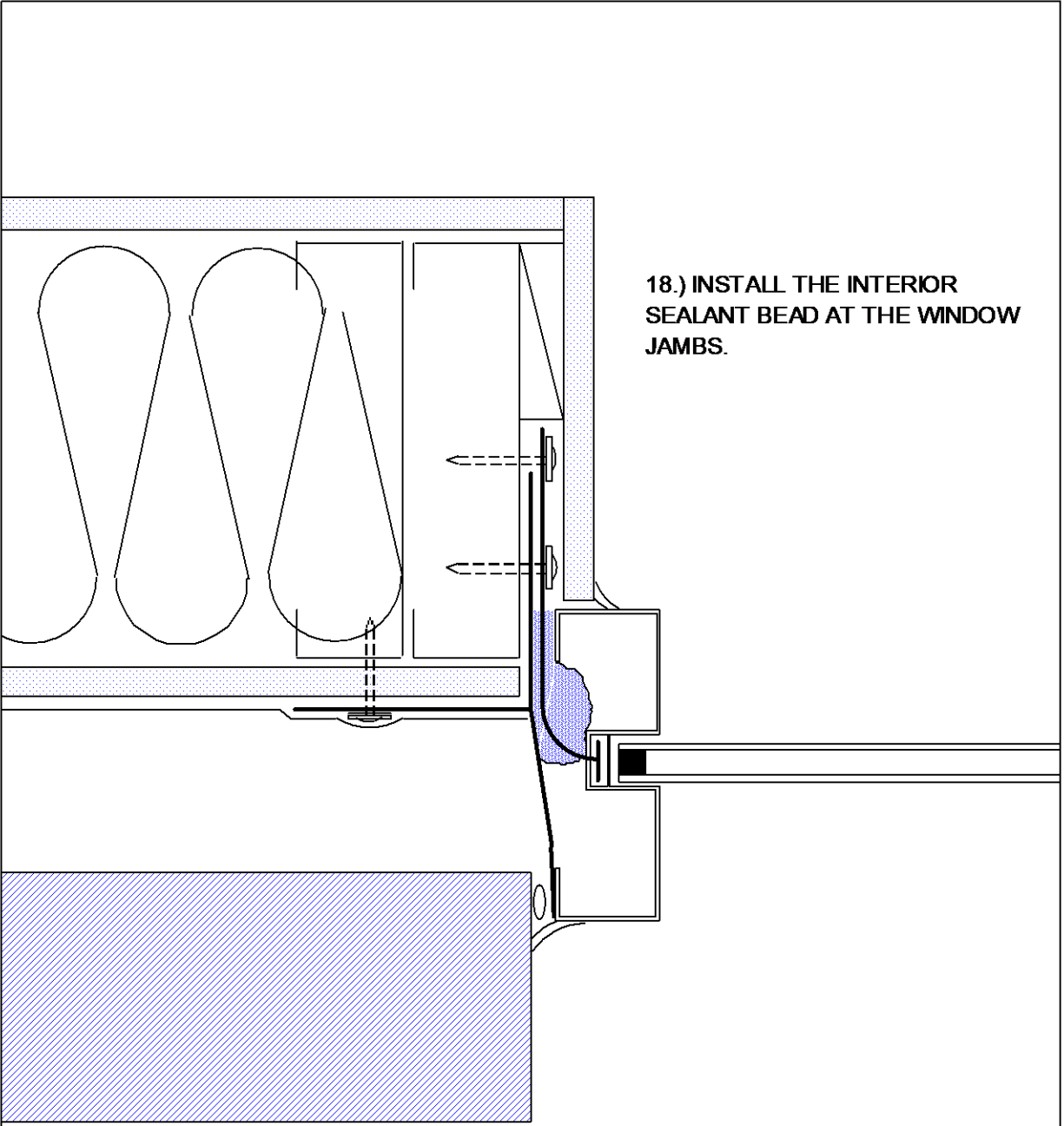
EXO-TEC MANUFACTURING, INC.

294 PLEASANT ST. SUITE 203A, STOUGHTON, MA 02072

(781) 344-9794 FAX (781) 344-9823

www.exo-tec.biz

WINDOW FLASHING SYSTEM INSTALLATION: STEP 17

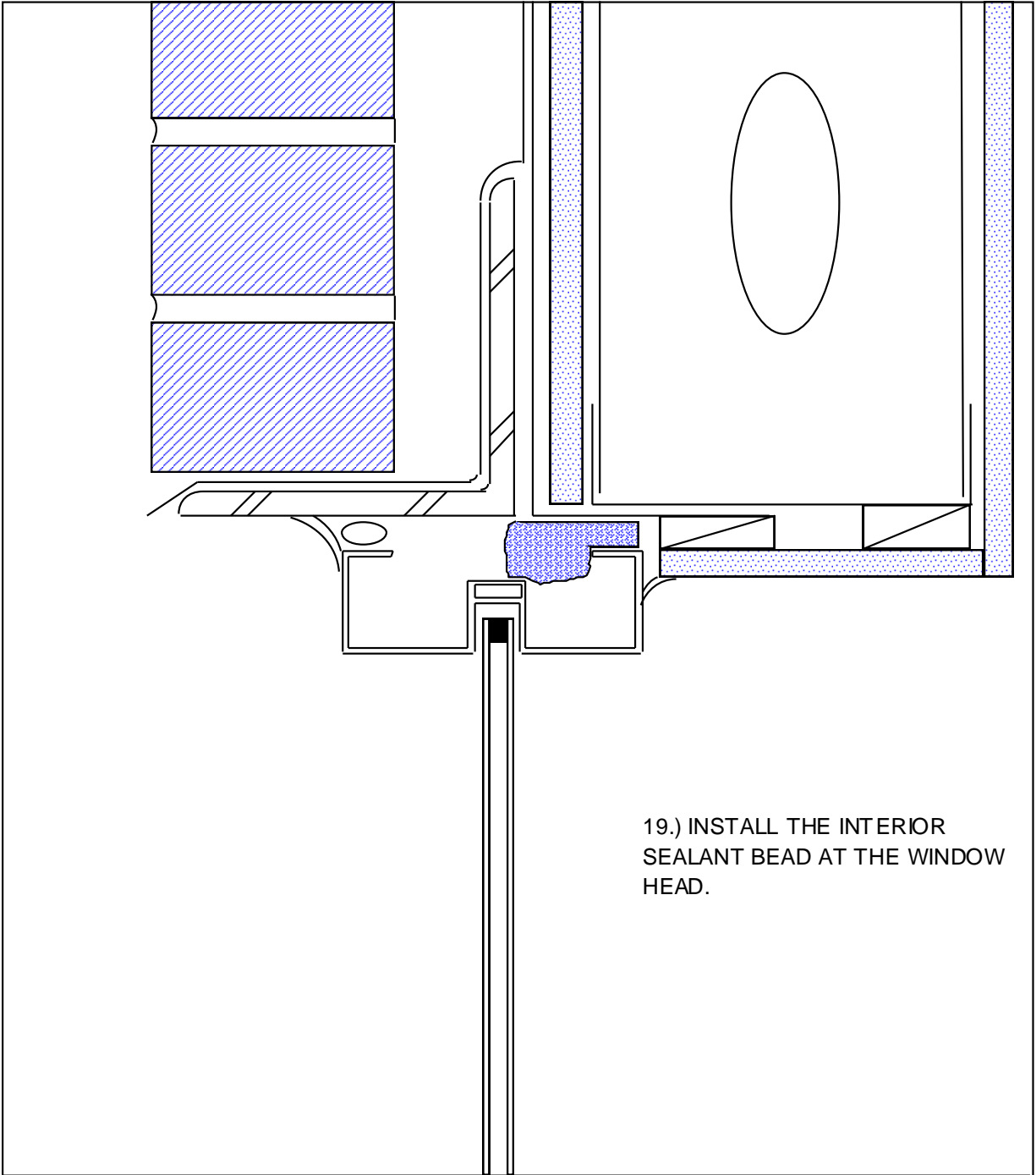


18.) INSTALL THE INTERIOR
SEALANT BEAD AT THE WINDOW
JAMBS.

EXO-TEC MANUFACTURING, INC.
294 PLEASANT ST. SUITE 203A, STOUGHTON, MA 02072

(781) 344-9794 FAX (781) 344-9823
www.exo-tec.biz

WINDOW FLASHING SYSTEM INSTALLATION: STEP 18



19.) INSTALL THE INTERIOR
SEALANT BEAD AT THE WINDOW
HEAD.

EXO-TEC MANUFACTURING, INC.

294 PLEASANT ST. SUITE 203A, STOUGHTON, MA 02072

(781) 344-9794 FAX (781) 344-9823

www.exo-tec.biz

WINDOW FLASHING SYSTEM INSTALLATION: STEP 19